

MINERVA INDOOR 215x150

TECHNICAL DATA SHEET

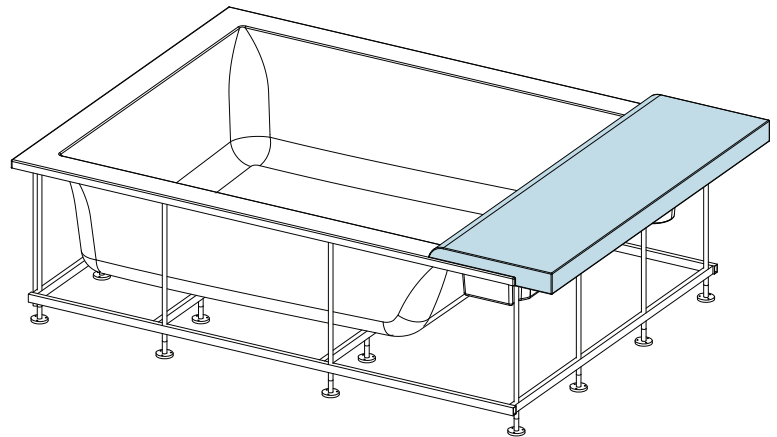


The tub must be installed by personnel qualified in both electrical and hydraulic connections. Before making the connections, the installer must verify that the electrical system is protected by a differential switch (0.03) and that the earthing system complies with regulations in force in the county of use.

The whirlpool tub must be connected to the electrical system in a fixed manner (with a 3 -pole H05 -3x2.5mm cable with a cross -section of 2.5mm) using a bipolar switch (minimum contact opening 3mm) suitable for the power (Kw) of the product to be connected and located outside zones 0, 1, 2, and 3 and away from any possible water sprays.

Panels available:
white acrylic - matt lacquer
- gloss lacquer

WEIGHTS:
- Bookshelf: 20 kg
- Acrylic panels 4/4: 25 kg
- Lacquered panels 4/4: 45 kg



| SYSTEMS | ELECTRICAL CHARACTERISTICS | | | | JETS | | WATER CONT. | | PACKAGE DIM. | | | | WEIGHT (KG) | |
|-------------------|----------------------------|-------------|--------------|----|--------|-------|-------------|-------|--------------|-------|--------|--------|-------------|-------|
| | Volts | A | W | Hz | Whirl. | Airl. | Use | Max | Length | Width | Height | Volume | Net | Gross |
| Tub with frame | x | x | x | x | x | x | 590 l | 760 l | 208 | 158 | 85 | 2.7 | 110 | 146 |
| Airpool | 230 | 3.0 | 700 | 50 | x | 16 | 590 l | 760 l | 208 | 158 | 85 | 2.7 | 125 | 161 |
| Digital whirlpool | 230 | 5.2 / 11.8* | 1200 / 2700* | 50 | 10 | x | 590 l | 760 l | 208 | 158 | 85 | 2.7 | 135 | 171 |
| Airpool whirlpool | 230 | 8.3 / 14.9* | 1900 / 3400* | 50 | 10 | 16 | 590 l | 760 l | 208 | 158 | 85 | 2.7 | 140 | 176 |

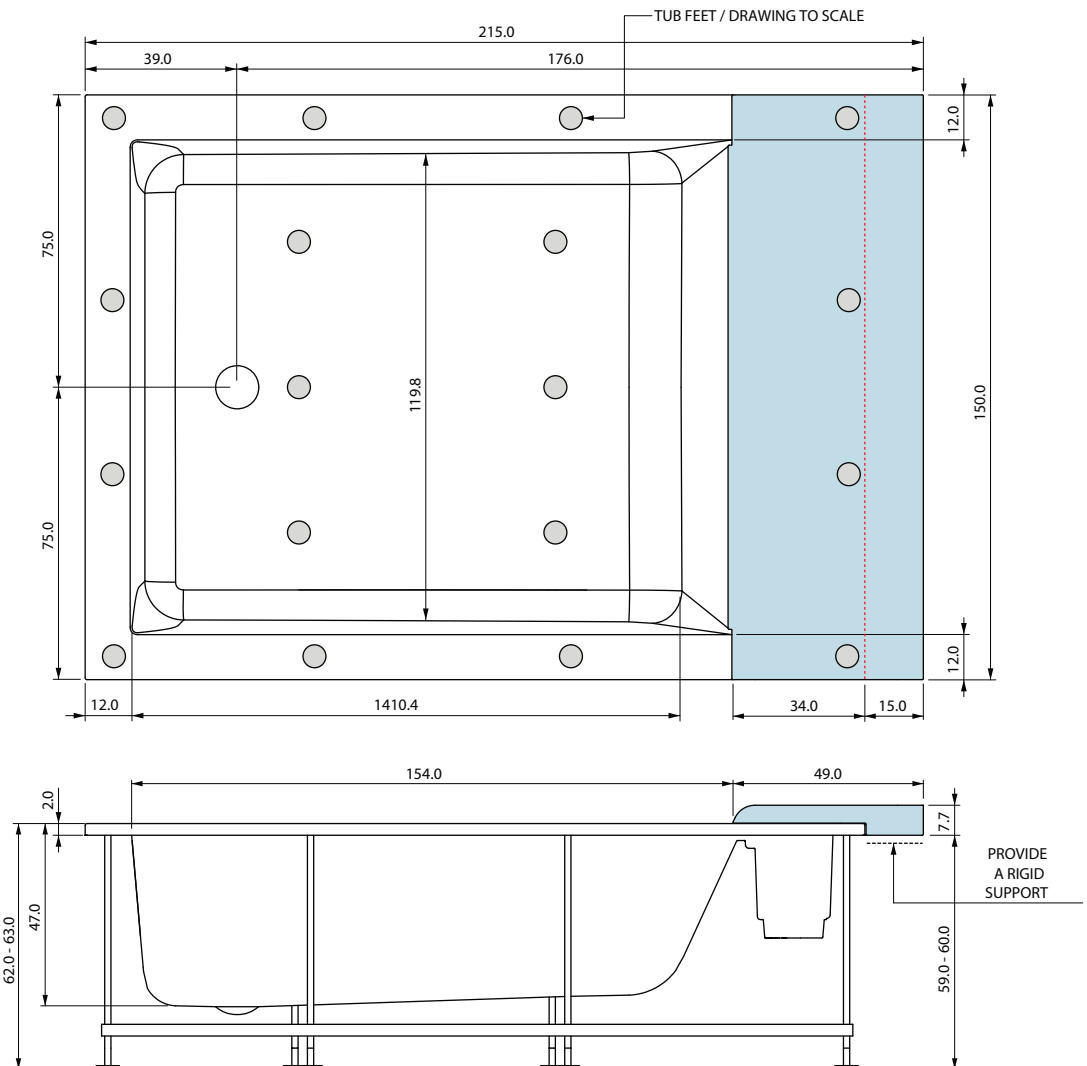
*Option (1500 W heater).

The overall dimension values are expressed in centimetres. The actual dimensions may vary by ± 1.0 cm. The product must also be connected to the building's equipotential system using the terminal located on the external frame.

If installing the tub enclosed between walls, the warranty will be valid only if adequate inspection grilles and ventilation are provided in the walls themselves. It must also be possible to move the tub at any time without having to damage the walls.

WARNING:
If the conditions indicated are not observed, the safety of the tub may be compromised: in this case, the product guarantee and the manufacturer's responsibility for any direct or indirect damage caused by the product shall be void. When the guarantee is voided, for the above-mentioned reason, only parts recognised as being defective will be replaced and costs relating to the labour necessary for product removal will not be covered.



Provide shut-off cocks out of the dimensions of the product for hot and cold water closing. If the water pressure is higher than indicated, install pressure reducers.



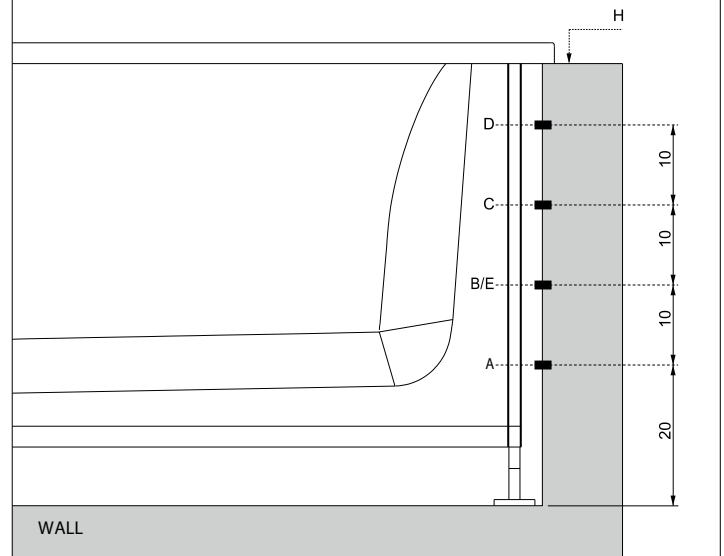
ELECTRICAL AND PLUMBING PROVISIONS`

| KEY / LEGEND | | |
|--------------|---|---|
| A | 1/2" M cold water connection | Provide connections for tub edge tap fittings only. |
| B | 1/2" M hot water connection | |
| C | Power cable outlet H05 - 3 x 2.5 mm (min. length 3m) | |
| D | Equipotential cable. | |
| E | 1/2" M mixed water connection Only if tub filling with spout is not provided (requires accessory 0RUE000). | |
| S1 | Tub drain diam. 40 mm. | |
| S3 | Safety drain diam. 40 mm inside the "pit" for any water spillage. Provide for drainage near inspection area. | |
| Y | Inspection area - where applicable. | |
| H | Pre-set area for connections "A", "B", "C", "D", "E" to the wall (see figure to the side). | |

"A" and "B" exclude "E", and vice-versa.

| | |
|--|-------------------------|
|  | Operating pressure: |
| | - MIN 150 kPa (1,5 bar) |
| | - MAX 300 kPa (3,0 bar) |
|  | Hot water temperature: |
| | - MAX 60°C (140°F) |

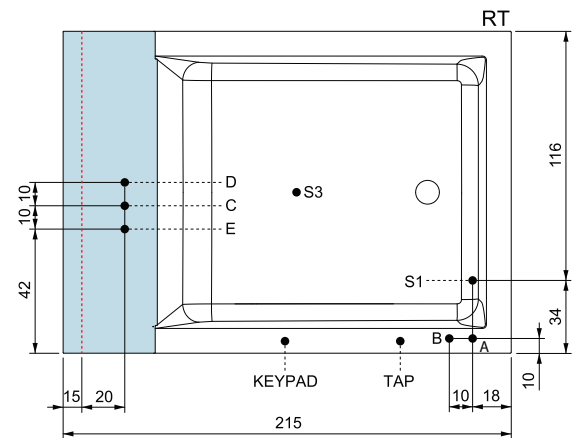
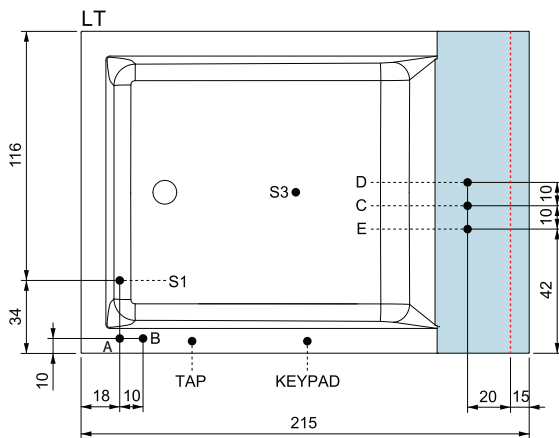
ARRANGEMENT FOR CONNECTIONS "A", "B", "C", "D", "E" ON THE WALL



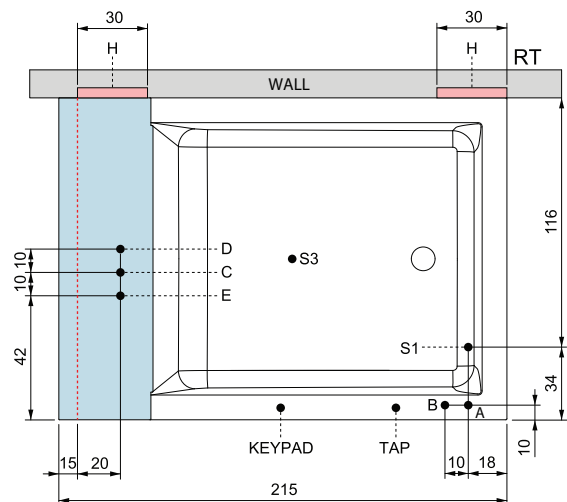
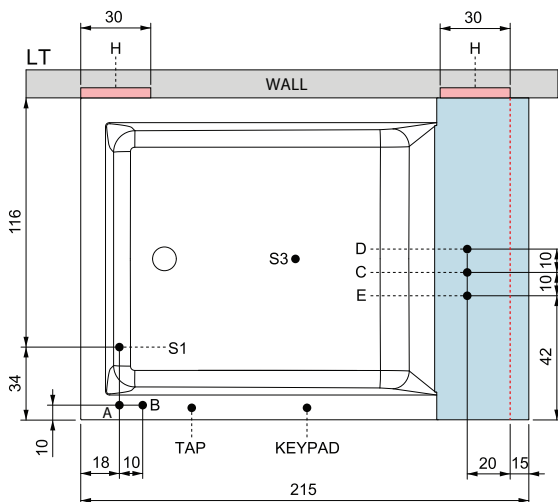
WARNINGS:

- For tubs with frame, do not provide a power cable.
- In all cases, always prepare the cable for the equipotential.
- If installing encased tubs, correct aeration is required with a grille min. diam. 15 cm.

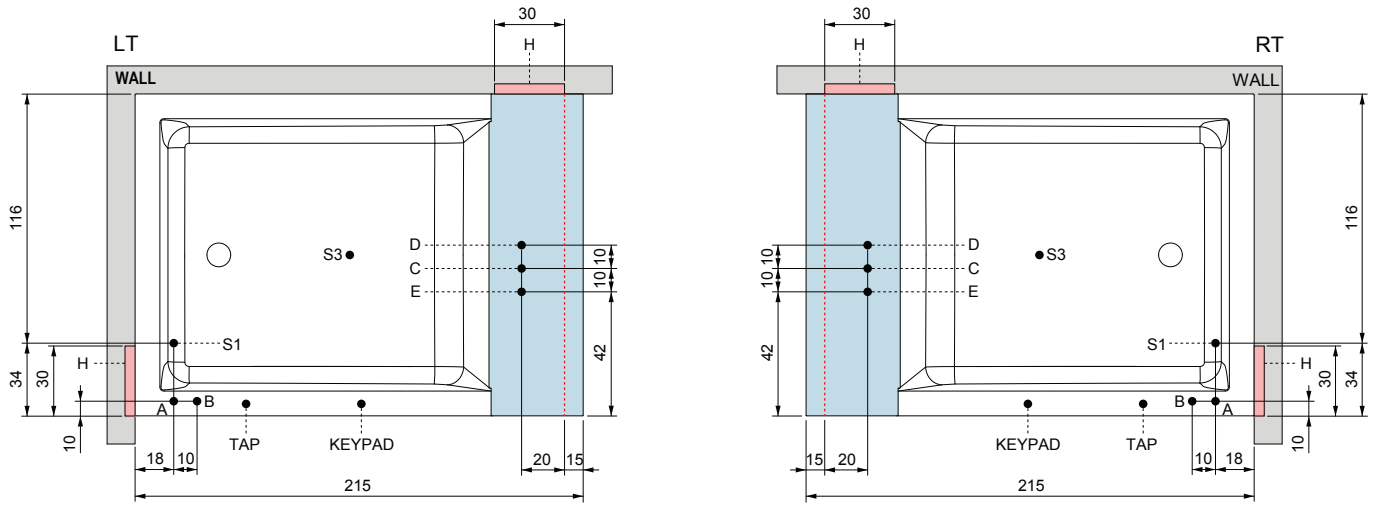
ELECTRICAL AND PLUMBING PROVISIONS (freestanding version)



ELECTRICAL AND PLUMBING PROVISIONS (wall version)

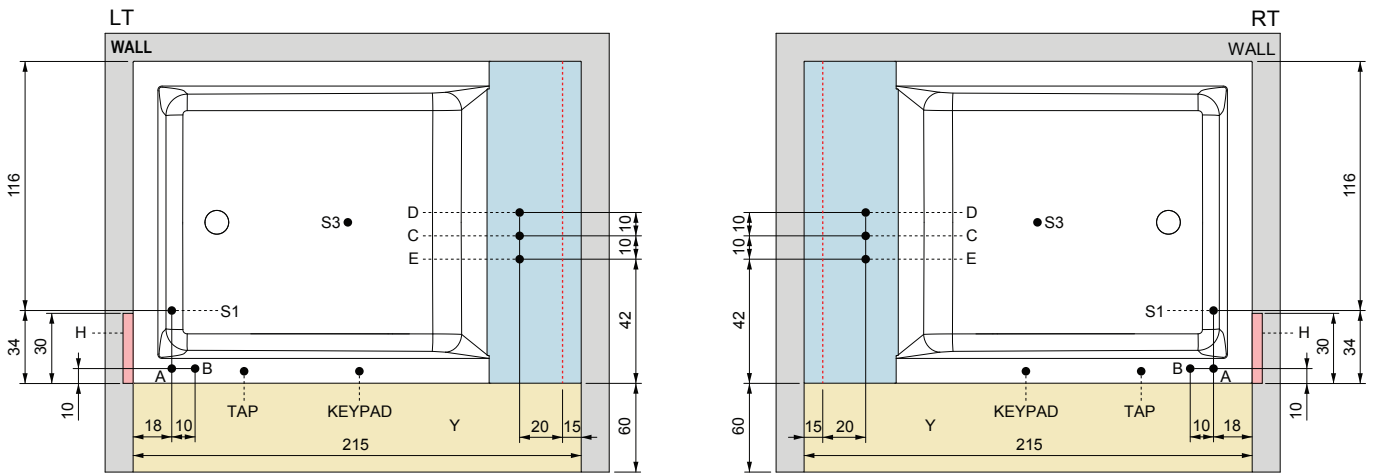


ELECTRICAL AND PLUMBING PROVISIONS (corner version)



ELECTRICAL AND PLUMBING PROVISIONS (niche version)

Provide inspection area.



ELECTRICAL AND PLUMBING PROVISIONS (built-in version)

Provide inspection area.

